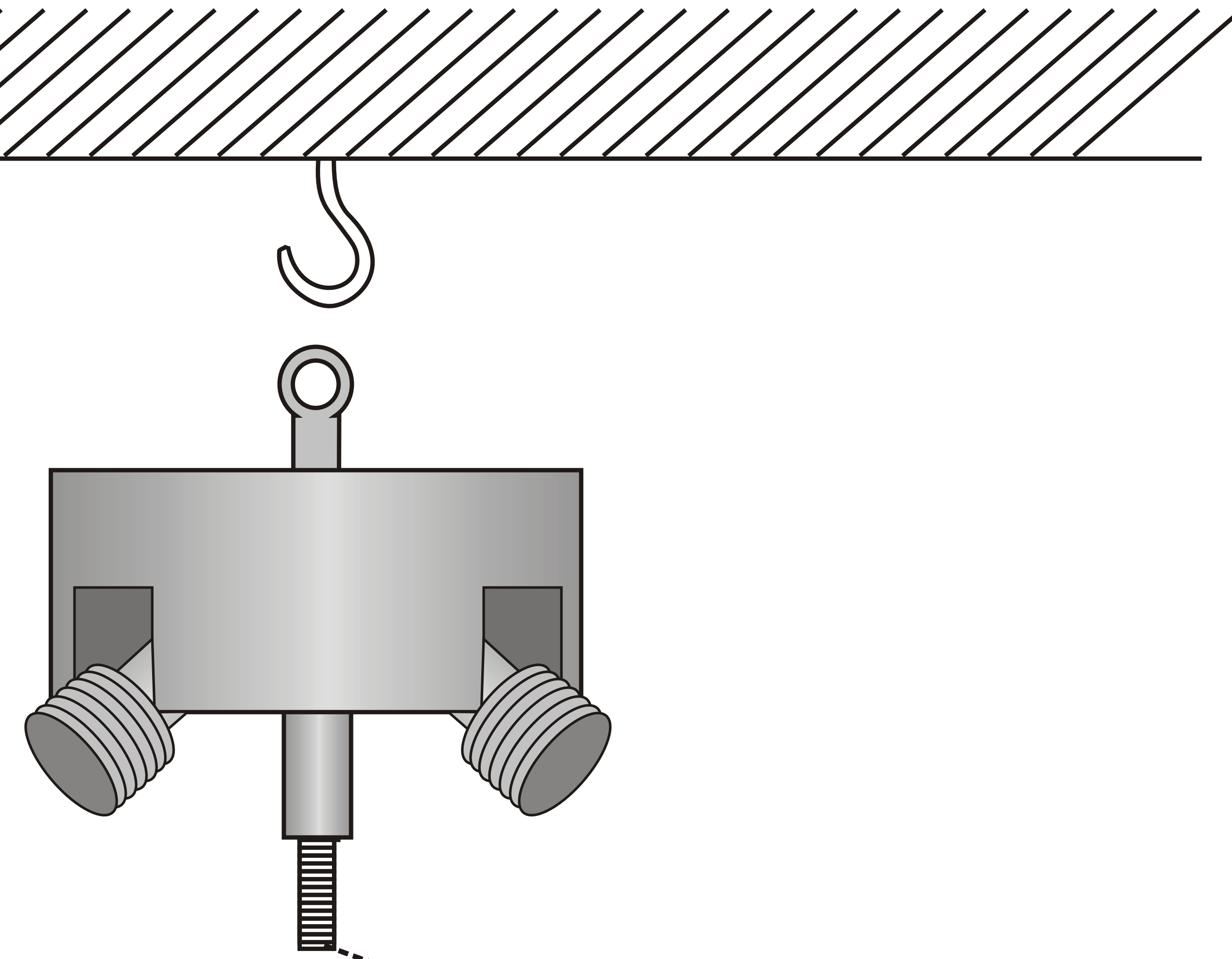
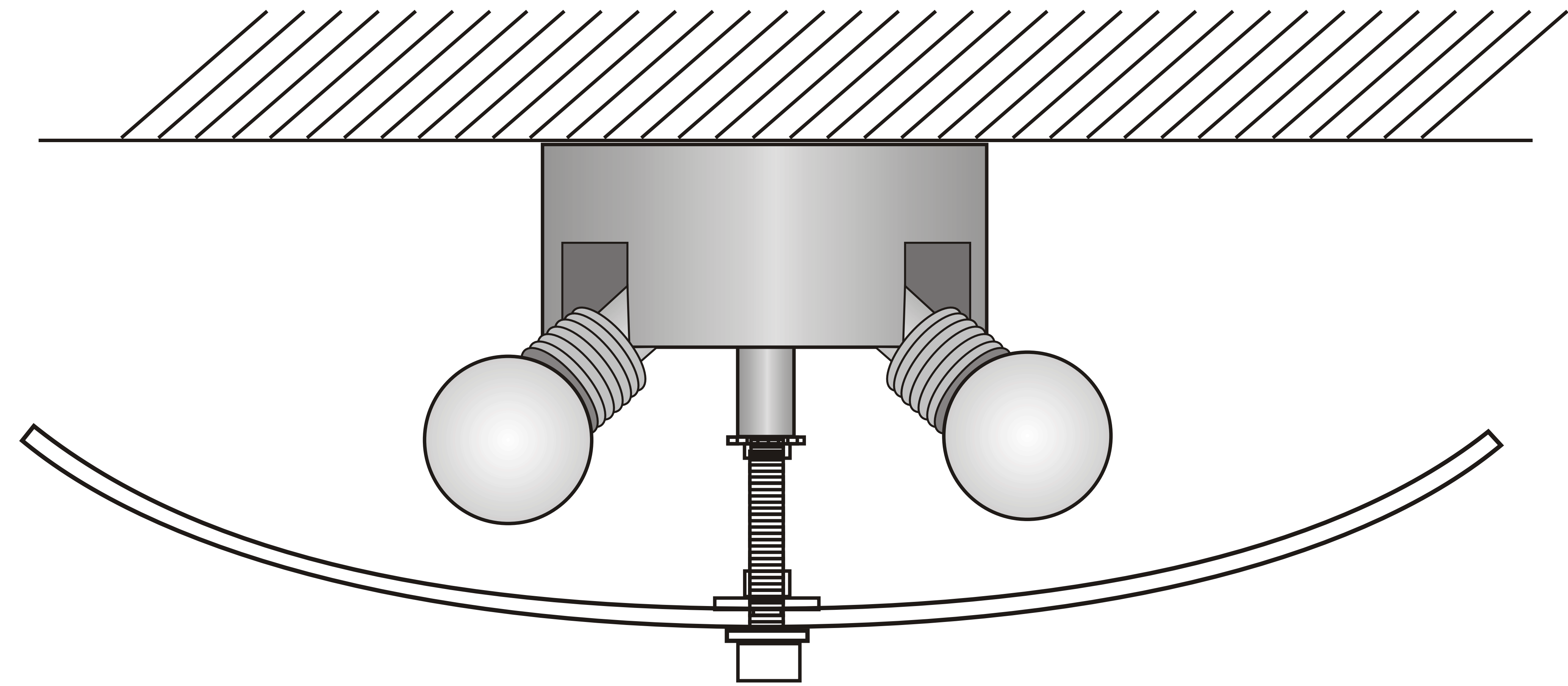


K-FAB
SCANDINAVIA

ASSEMBLY INSTRUCTION



1 

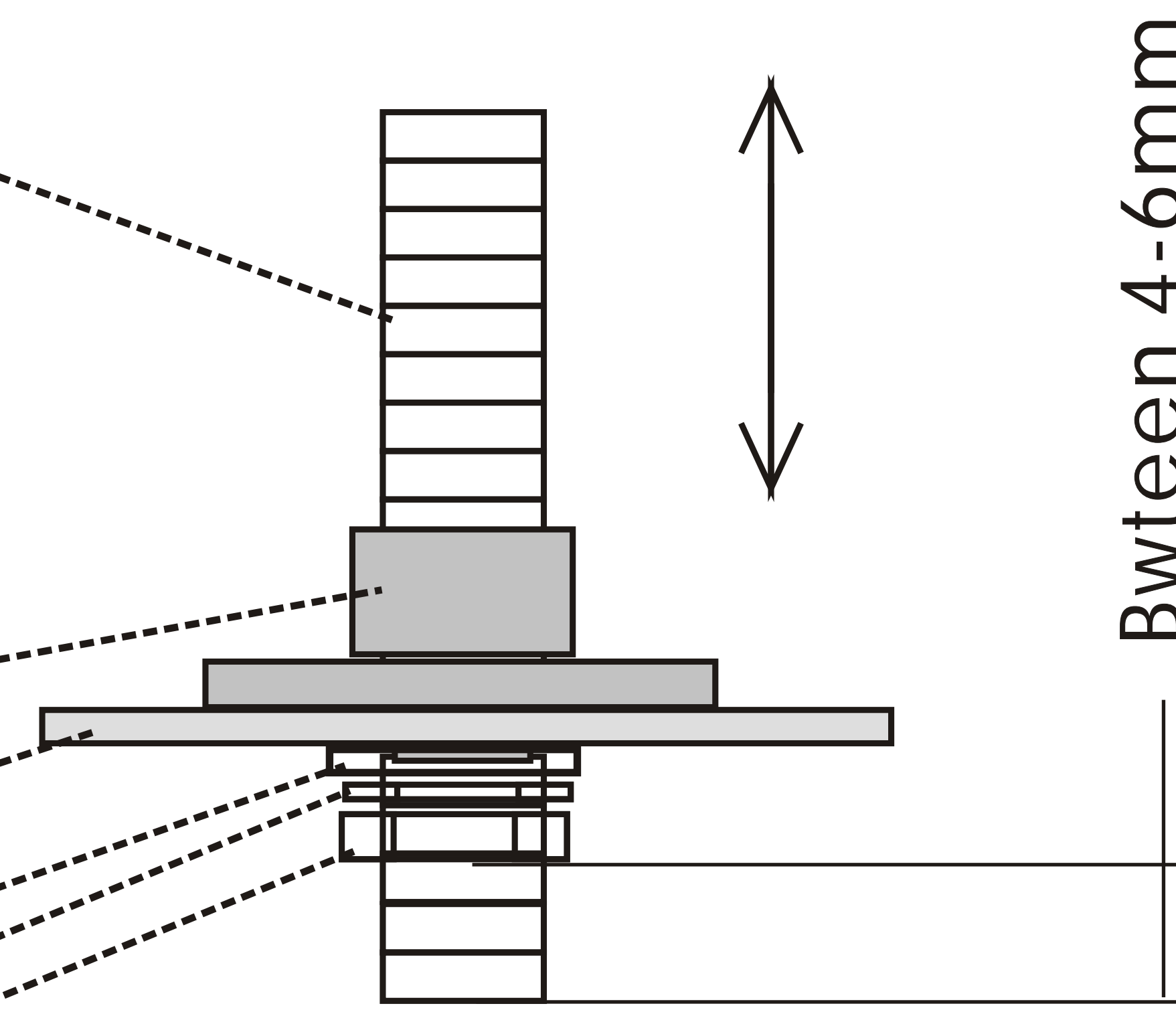
adjust the shade to match the length of tube.

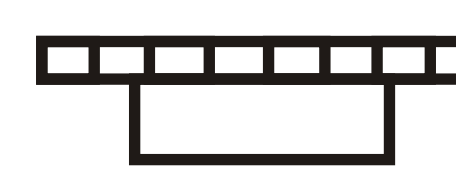
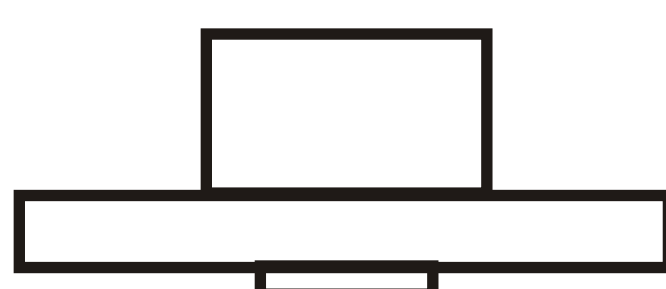

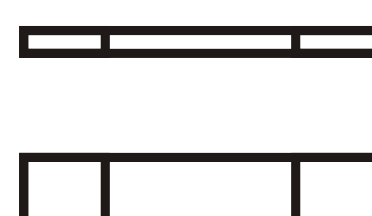
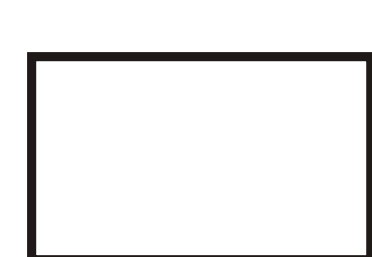
2 

3 

4 

5 



- | | | |
|---|----------------|---|
| 1 | Metal screw |  |
| 2 | Plastic holder |  |
| 3 | Plastic washer |  |
| 4 | Nut and washer |  |
| 5 | Final nut |  |